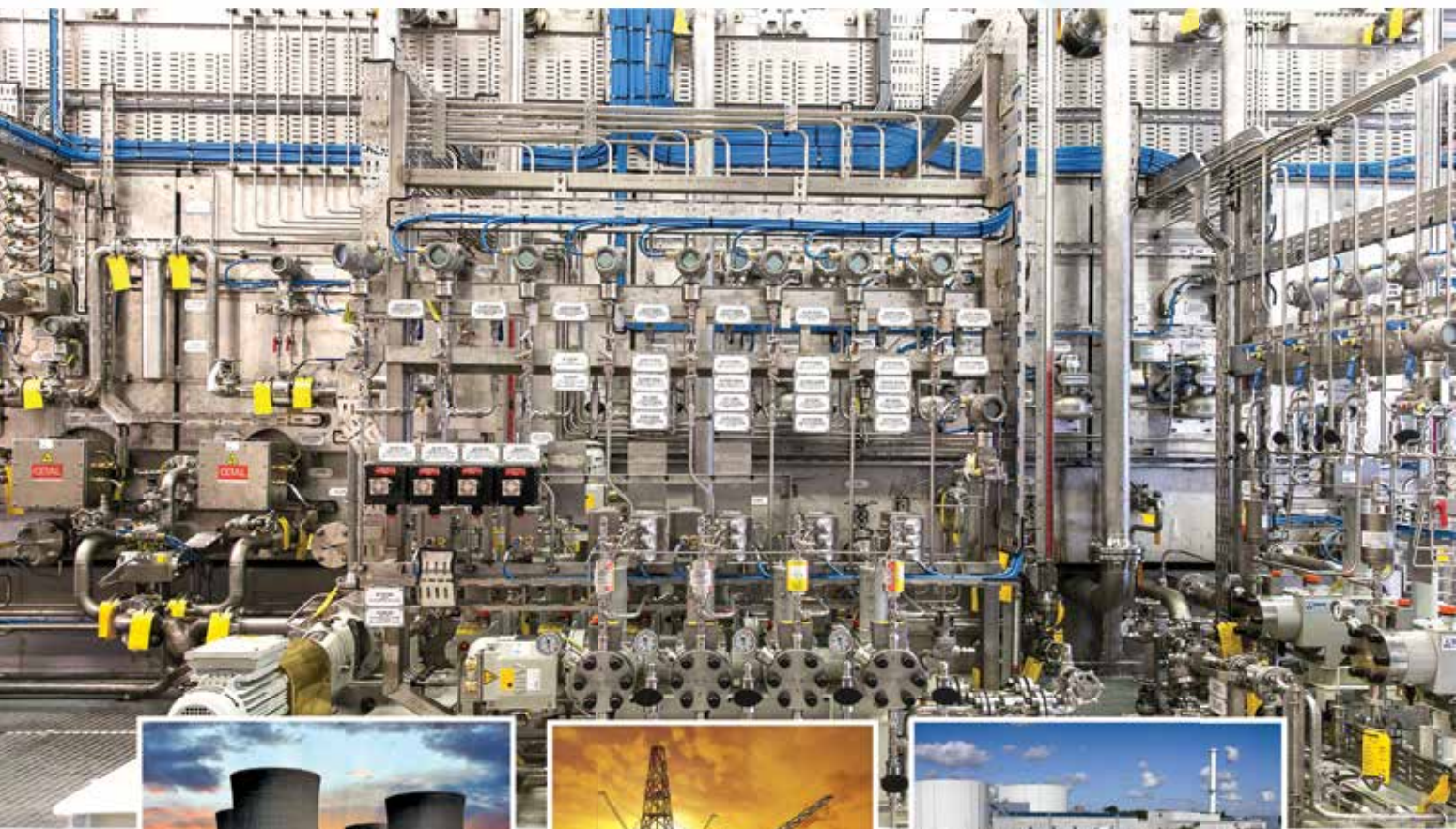


MET-LOK
VALVES AND FITTINGS

FIT FOREVER



- Tube Fittings
- Pipe Fittings
- Needle Valve
- Gauge Valve
- Ball Valve

- 2 Valve Manifold
- 3 Valve Manifold
- 5 Valve Manifold
- Double Block
And Bleed

- Air Header
- Kidney Flange
- Condensate Pot
- Syphon
- Snubber

MET-LOK

INSTRUMENTATION TUBE FITTINGS

Size Tube (ODT): 1/16" to 1" & 2 mm to 25 mm

Size for Pipe End Connection: 1/8" to 2" (NPT, BSPT, BSPP,)

Raw material: SS316/L, SS304, Brass, Monel, Alloy 20, Inconel, Hastelloy, Titanium,)



Male Connector



Bulk Head Male Connector



Female Connector



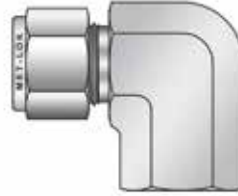
Union



Bulk Head Union



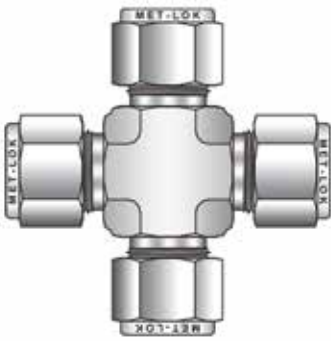
Male Elbow



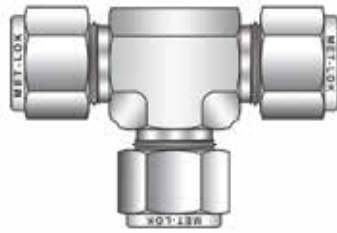
Female Elbow



Union Elbow



Union Tee



Cross



Tube Cap



Lap Joint Tube Adapter



Nut



Front Ferrule



Back Ferrule



Male Connector-Butt Weld



Tube Plug

PIPE FITTINGS

Size : 1/8" to 2" (NPT, BSPT, BSPP,)

Raw material: SS316/L, SS304, Brass, Monel, Alloy 20, Inconel, Hastelloy, Titanium,)



Hex Nipple



Adapter



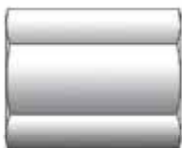
Male Tee



Hex Reducing Bushing



Hex Plug



Hex Coupling



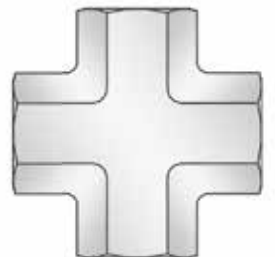
Male Elbow



Female Elbow



Female Tee



Cross

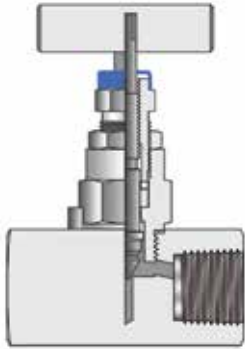
INSTRUMENTATION VALVES

Size for Tube (ODT): 1/8" to 1" & 6 mm to 25 mm

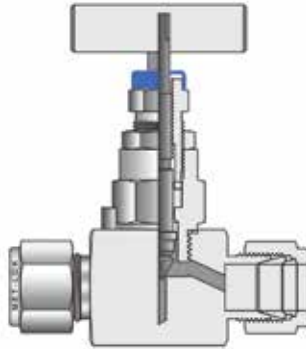
Size for Pipe End Connection: 1/8" to 2" (NPT, BSPT, BSPP,

Raw material: SS316/L, SS304, Duplex, Monel, Alloy 20, Inconel, Hastelloy, Titanium,

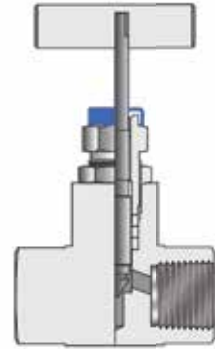
WOP: 6,000 & 10,000 PSI



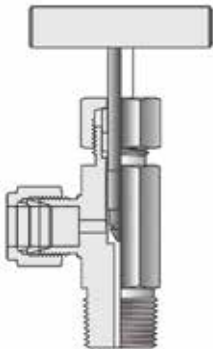
SNV Series
Screwed Bonnet Needle Valve



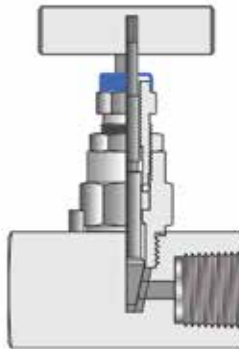
SNV Series
Screwed Bonnet Needle Valve



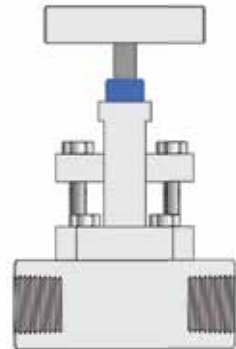
FNV Series
Forged Body Needle Valve



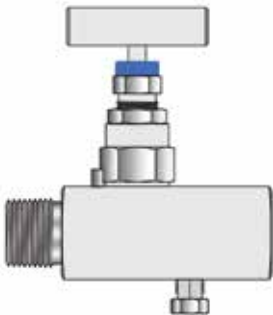
FINV Series
Forged Body Integral Needle Valve



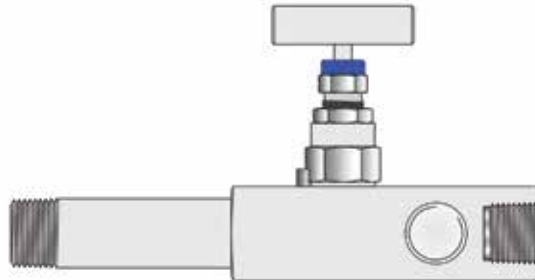
SSV Series
Soft Seat Needle Valve



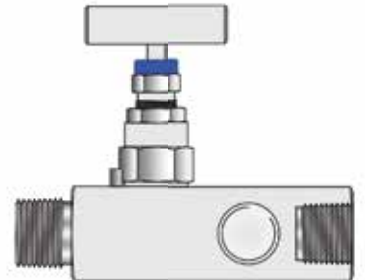
YNV Series
OS & Y Needle Valve



GNV Series
Gauge Needle Valve



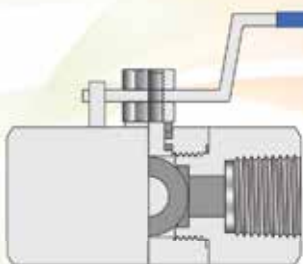
GRNV-E Series
Gauge Root Needle Valve Extended Type



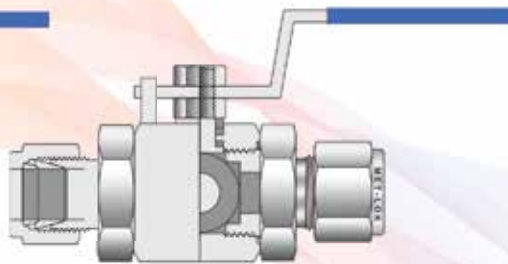
GRNV Series
Gauge Root Needle Valve

BALL VALVE.....

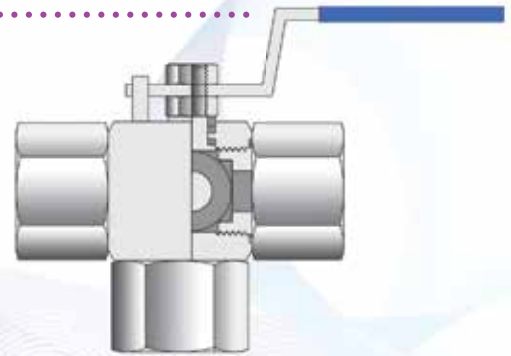
WOP: 1,000 to 6,000 PSI



GBV Series
2 Piece Design



IBV Series
3 Piece Design



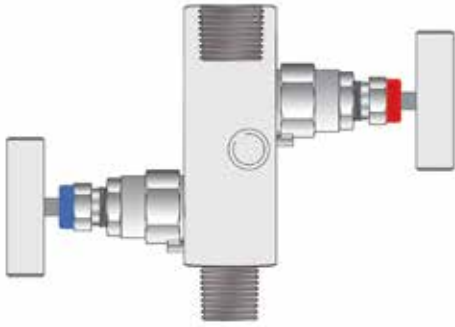
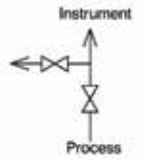
IBV Series
3 way 3 Piece Design

2 VALVE MANIFOLD

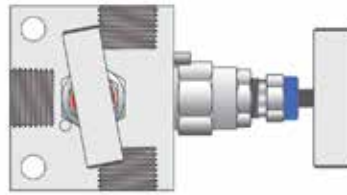
Size for Pipe End Connection: 1/4" to 3/4" (NPT, BSPT, BSPP,

Raw material: SS316/L, SS304, Duplex, Monel, Alloy 20, Inconel, Hastelloy, Titanium,

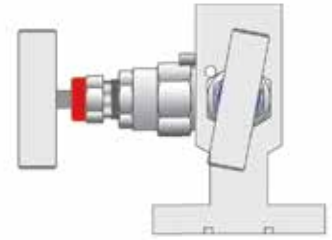
WOP: 6,000 & 10,000 PSI



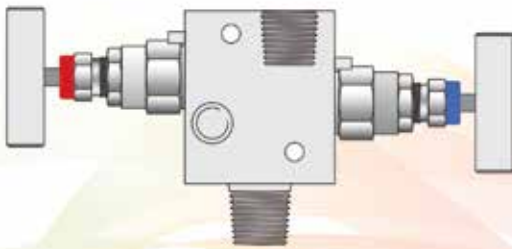
2VM-08



2VM-03



2VM-05



2VM-04

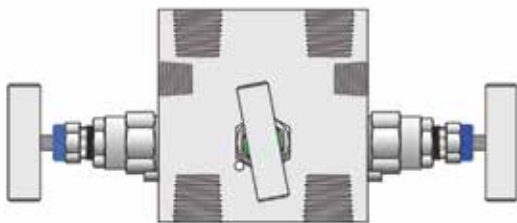
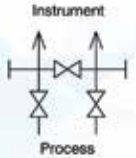


2VM-11



2VM-07

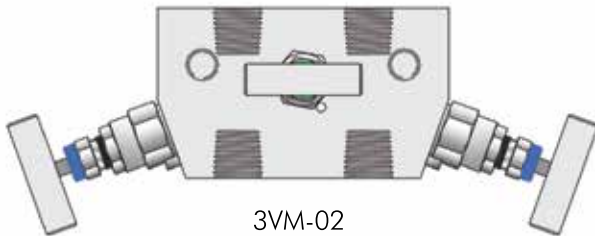
3 VALVE MANIFOLD.....



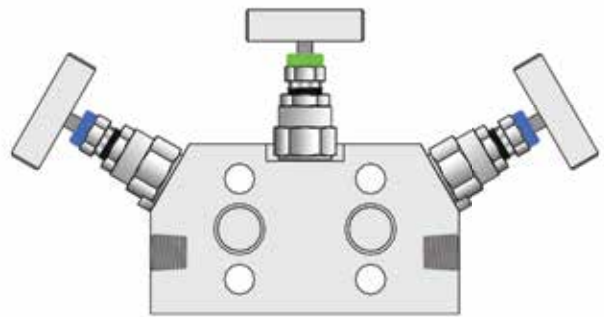
3VM-01



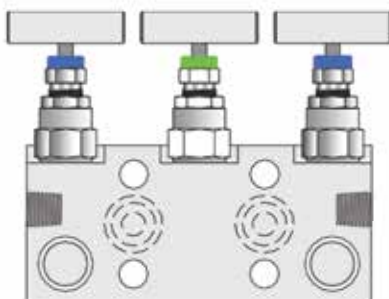
3VM-03



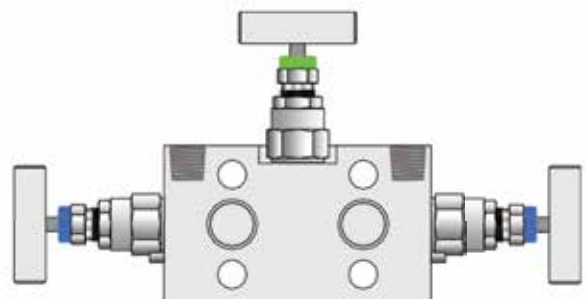
3VM-02



3VM-08



3VM-07



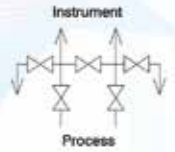
3VM-05

5 VALVE MANIFOLD

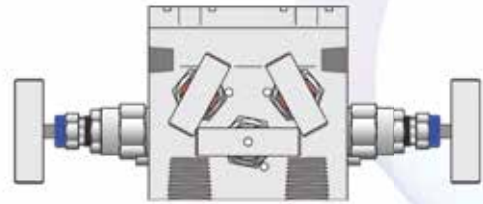
Size for Pipe End Connection : 1/4" to 1/2" (NPT, BSPT, BSPP,

Raw material : SS316/L, SS304, Duplex, Monel, Alloy 20, Inconel, Hastelloy, Titanium,

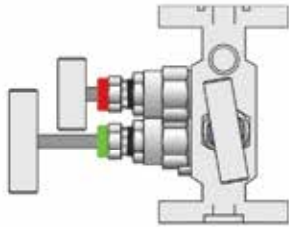
WOP : 6,000 & 10,000 PSI



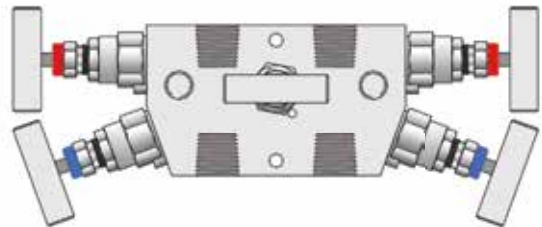
5VM-01



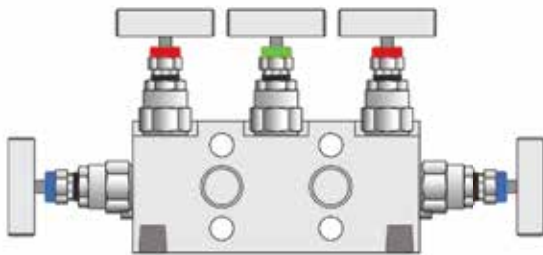
5VM-03



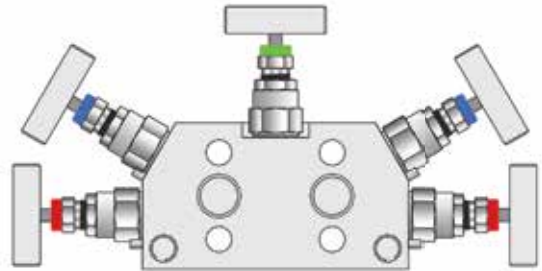
5VM-04



5VM-02



5VM-05



5VM-08

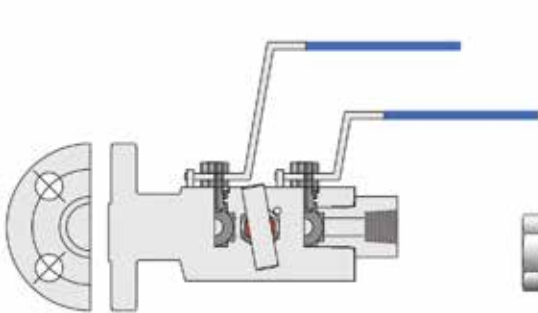
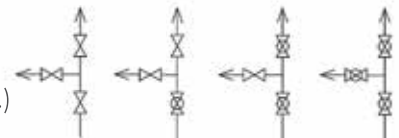
INSTRUMENTATION VALVES DBB.....

Size for Flange End Connection :- 1/2" to 4" & 150 to 2500#

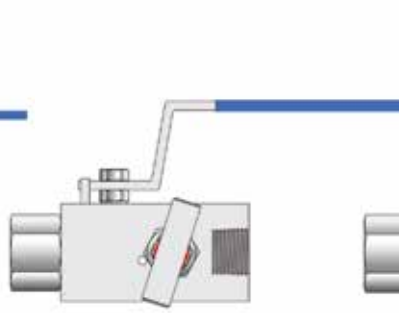
Size for Pipe End Connection :- 1/4" to 1" (NPT, BSPT, BSPP,

Raw material :- SS316/L, SS304, Duplex, Monel, Alloy 20, Inconel, Hastelloy, Titanium,

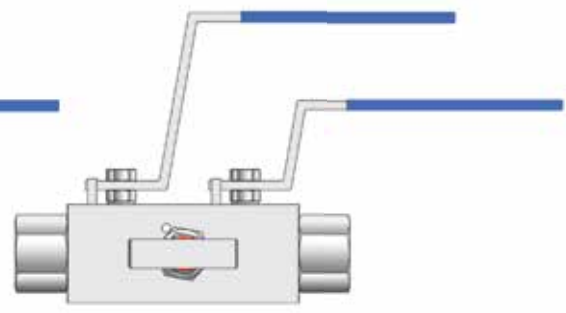
WOP :- 6,000 / 10,000 PSI & As per ANSI B16.34 for Flange valve



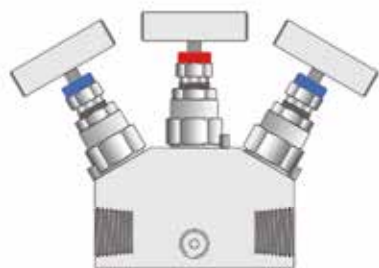
SLV-FT-DBB



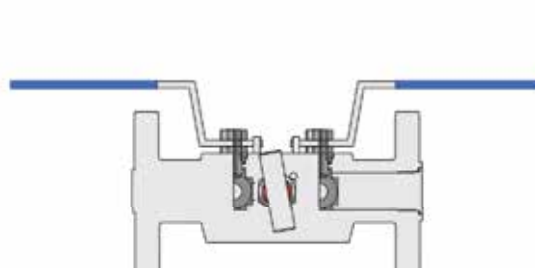
MB-DBB-BNN



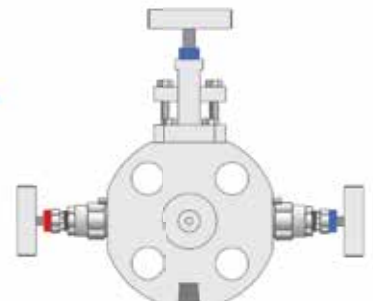
MB-DBB-BBN



MB-DBB-NNN

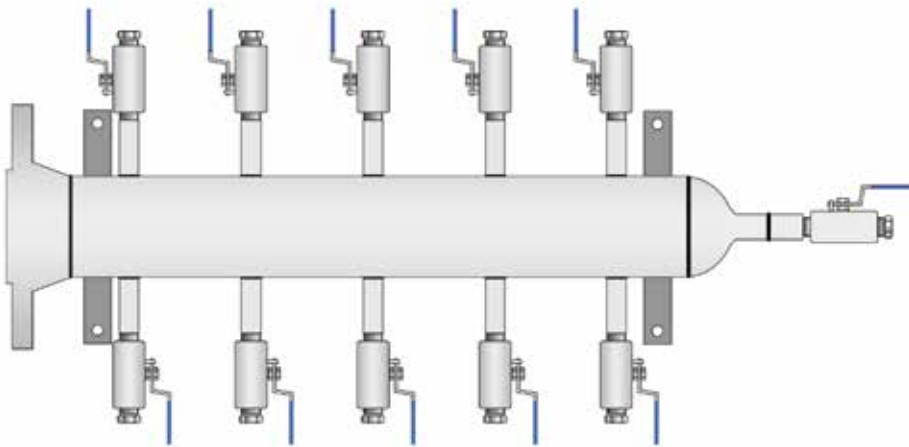


SLV-FF-DBB

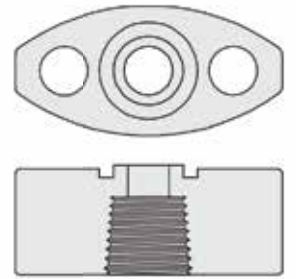


MFV-Y-DBB

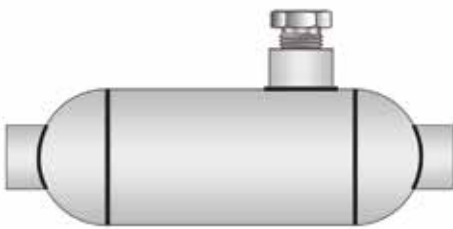
INSTRUMENTATION ACCESSORIES



Air Header



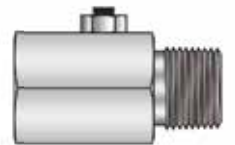
Kidney Flange



Condensate Pot



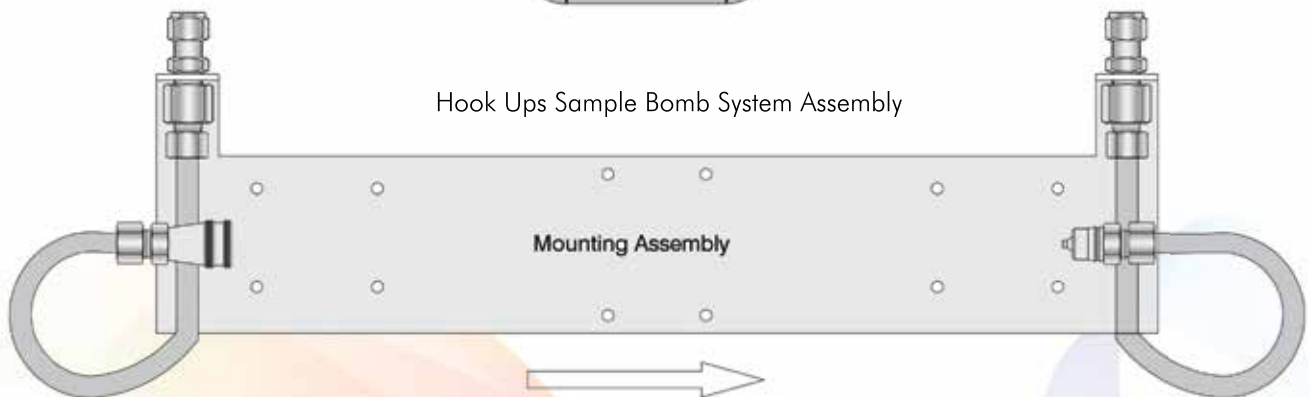
Syphon



Snubber



Hook Ups Sample Bomb System Assembly



Mounting Assembly

MET-LOK VALVES AND FITTINGS

C1B-11+12, GIDC, Umbergaon-396 171,
Gujarat, INDIA. Tel.: +91 260 2560049

E-mail: info@met-lok.com • Webiste: www.met-lok.com

Manufacturers & Exporters of Instrumentation Tube Fittings & Valves

For complete deatils on the products, view MET-LOK CD-Rom / detail catalogue

MET-LOK